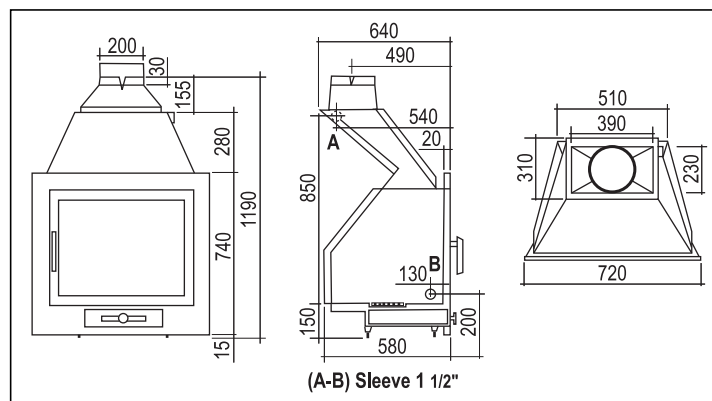


AcquaFlam

WATER BOILER-FIREBOX

For heating and production of warm water



Water inlet connection 1 1/2"



Water intake connection 1 1/2"

CHARACTERISTICS :

Efficiency :	70 %
Admissible maximum water temperature :	80 °C
Test pressure :	6 bar
Admissible maximum pressure :	3 bar

TECHNICAL DATA

Model	Pipe dimensions (mm)		Recommended height in mm	Weight kg	Total power Kw	Radiation power Kw	"Warm water" power Kw
	Métallic	Bushels					
Acquaflam	Ø 250	250 x 250	5 - 6	223	25	7	18

IMPORTANT RECOMMENDATIONS

At the installation of the "AcquaFlam" water boiler-firebox equipped with a closed expansion tank, it is imperative to respect the following security precautions:

- 1) In the installation, the radiators with thermostatic control are forbidden; radiators with free circulation are necessary and have to remain opened during the warming period. (risks of overheating of the installation).
- 2) It is imperative to adjust the safety valve on a pressure of 3 bar. Then fill the circuit to 1 bar pressure.
- 3) A closed expansion tank is obligatory in the installation, the tank pressure must be identical to the pressure of the water circuit. The volume of the expansion tank must be proportional to the volume of water of the installation.
- 4) It is strongly recommended to provide in the installation a thermostat which stops the circulation as soon as the firebox water reserve is under 50°C. (it avoids the condensation at the firebox switching on).
- 5) It is strongly recommended that the different components of the installation (safety valve, circulator, expansion tank) have been installed in the circuit reverse.

In case of overheating or fire in the hearth, what to do?

In the case of an abnormal overheating due to :

- Failure of the ventilator
- Damages on the circuit
- breaking of the thermostat

Stop the appliance urgently to avoid damages on the cast-iron pieces.

Follow the here-after recommendations:

- Do not fill again the appliance
- Open the firebox door, the intake of air will make the wood consuming faster, and will cool the firebox and the fire place.
- If a fire in the hearth appears, follow the same recommendations cited above. Call the fire brigade.

Lighting of the firebox

Before any lighting, the pipe valve must be **OPENED**.

Always switch on slowly and progressively (kindling, fire-lighter blocks or gels are recommended)

Never use volatile products, methylated spirits, oil, solvents : **RISK OF EXPLOSION OR THERMAL SHOCKS** by brutal raising of the temperature.

The fresh air regulator must also be opened in order to accelerate the combustion, stock the fire and evacuate the smokes (in its first stage of combustion, the wood emits more smoke, that is less aspirated by a cold pipe). The door of the firebox must imperatively be closed in order to avoid any risks of exhausts.

Be careful

During the functioning, the metallic parts of the firebox can reach high temperatures. Protect your hands with a special glove.

THE INSTALLATION MUST IMPERATIVELY BE MADE BY A CERTIFIED HEATING ENGINEER.

